

NEW ADJUSTABLE HINGES for RIBANTATRE R40

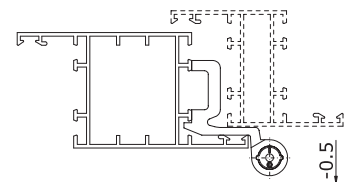
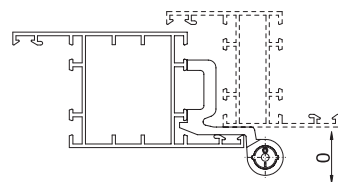
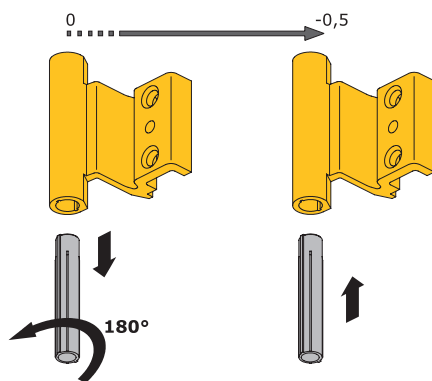
MAIN CHARACTERISTICS:

- Easy lateral and vertical adjustment as well as easy adjustment of the closing pressure for the bottom hinge;
- Elimination of the grub screw to secure the pin in the top hinge;
- Weight capacity 80 kg – 120 kg with reinforcement (art. 1246.736) and additional screws (standard supply);
- Pre-assembled counterplates;
- Counterplates, pins and screws in stainless steel;
- Suitable for the existing version of RIBANTATRE R40;
- Reversible



POSSIBLE ADJUSTMENTS

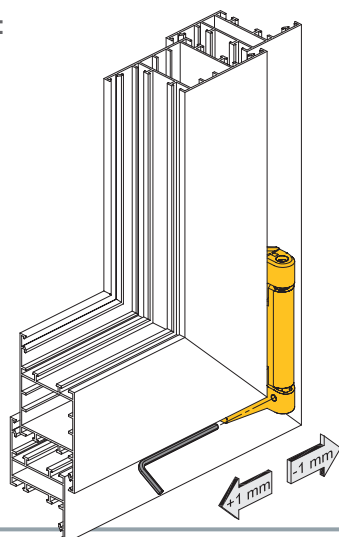
Adjustable bottom hinge: closing pressure -0.5 mm



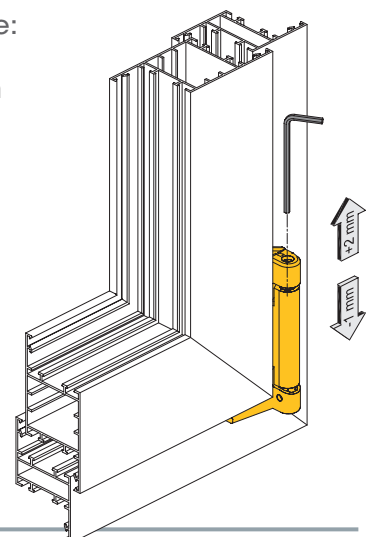
NEW

Adjustable bottom hinge:
lateral +/- 1 mm
(can be carried out with
the leaf assembled)

NEW



Adjustable bottom hinge:
vertical -1 / +2 mm
(can be carried out with
the leaf assembled)

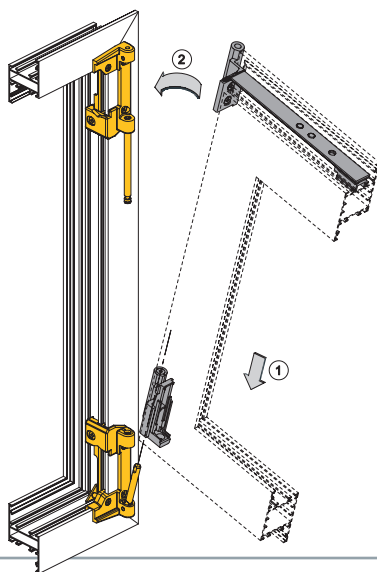


NEW ADJUSTABLE HINGES for RIBANTATRE R40

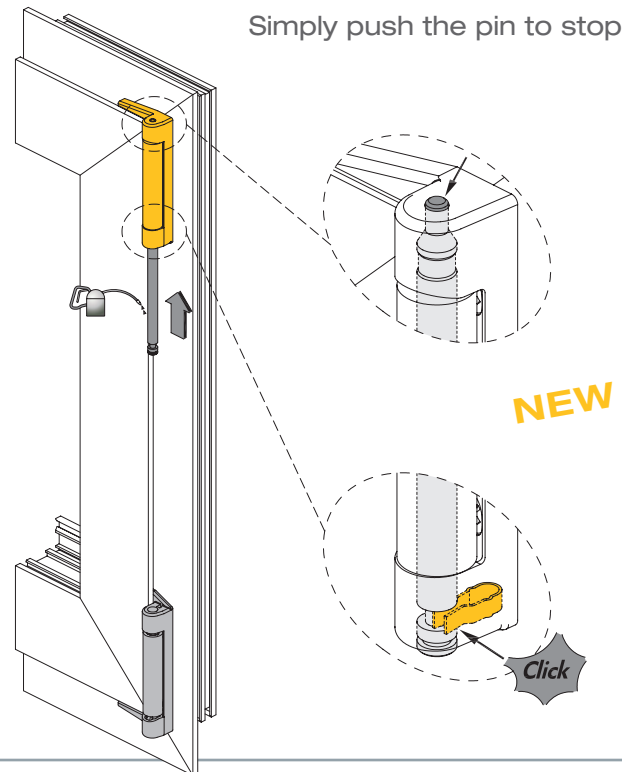
1246.705

LEAF ASSEMBLY

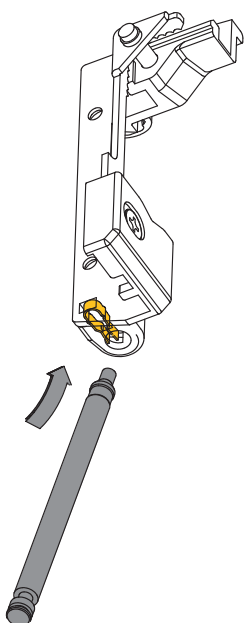
The clip keeps the pin in position during both the assembly and disassembly phase.



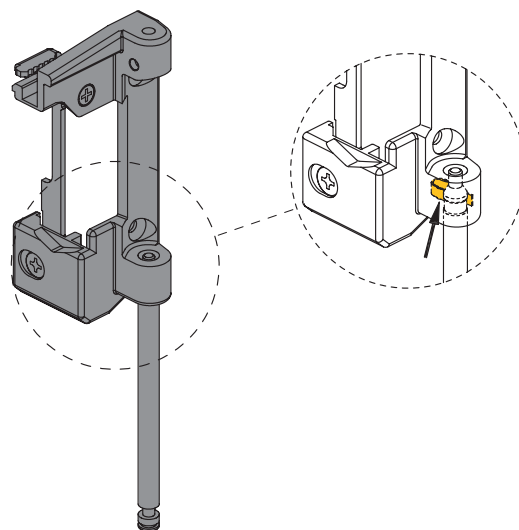
Simply push the pin to stop it



PIN ASSEMBLY

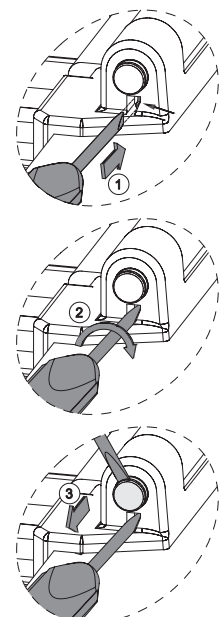


The pin stays in position thanks to the clip.



PIN DISASSEMBLY

Operate directly on the clip to disassemble the pin.



N.B.: The hinges for secondary leaf art. 1246.803 stay the same as the current version, with the pin locked by the grub.